

# Sky-Tile A2

- > Self-supporting rigid panel made of rock wool
- > Decorated glass veil on the front
- > Reinforcing glass veil on the back
- > Installable on T15 - T24 structure



## Fire Reaction

- Euroclasse A2 - s1, d0 according to EN 13501-1 standard



## Fire Resistance

- Results valid for 600x600 panels

REI	Norma Rif.	Certificati
120	UNI EN 1365-2	Ist. Giordano and Technical File

Installation must comply with the certificate requirements



## Humidity Resistance

- 100% stable at any level of relative air humidity.



## Environment and Health

- The support of Sky-Tile is made by Saint-Gobain® which produces recyclable mineral wools and production waste is largely recycled during the production process.
- Saint-Gobain® possesses the Environmental Product Declaration (EPD) verified by an independent third party.
- The rock wool panels are made with fibers exempt from the classification of carcinogenicity (European Directive 1272/2008, amended by D.L. 790/2009).
- According to the International Agency for Research on Cancer, mineral wools are not classifiable as carcinogenic to humans (group 3)
- The adhesives used are specifically designed to ensure the production of healthy stamps, offering a safe environment free from harmful substances.

The decorated fiberglass veils with inks that do not contain harmful solvents and are suitable for environments with direct contact with food, as well as environments with high public attendance like schools, restaurants, and hospitals.

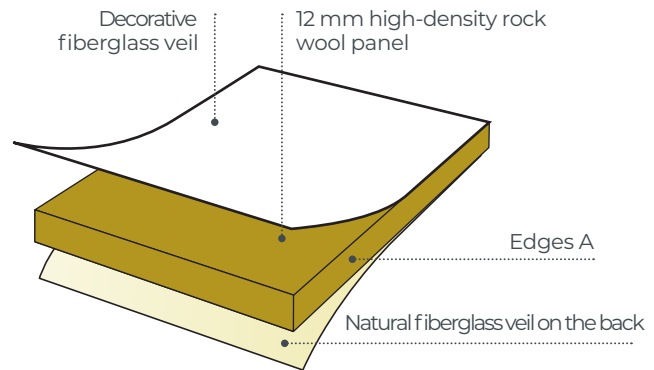
UL GreenGuard Gold certifications attest that the materials used meet the most rigorous safety and quality standards for indoor environments.

## Summary Table

Colors	Various
Edges	A
Structure	T15 - T24

## Nominal Dimensions

Width	600 mm
Length	600 mm
Thickness	12 mm



## CE Marking

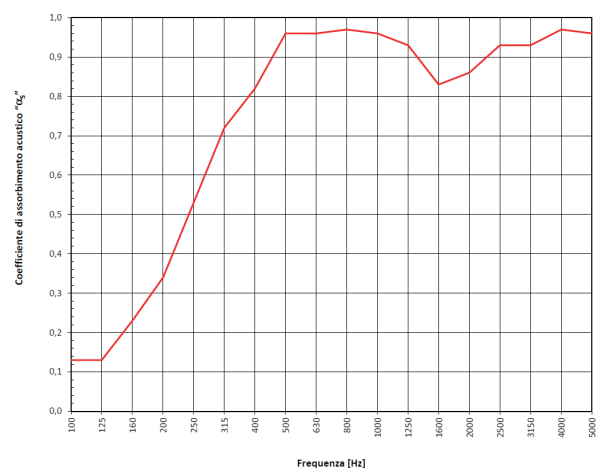
- N. DoP: CX003



## Acoustic Absorption

- $\alpha_w = 0,85$  - classe B / NRC = 0,85

ANDAMENTO DEL COEFFICIENTE DI ASSORBIMENTO ACUSTICO "α<sub>s</sub>" PER TERZI D'OTTAVA



## Installation

- Must comply with the provisions of the Unified Technical Document (DTU) 581, NP 68203-1 and 2, and other applicable standards in force at the time of the ceiling installation.
- Ensure proper air circulation in the premises and balance the temperature and pressure of the air on both sides of the ceiling.
- Sky-Tile ceilings are supported on T15 - T24 structures.
- Panels can be cut using a saw or utility knife, producing no dust.
- Panels are marked on the back and front. During installation, it is recommended to maintain all panels in the same orientation.



## Cleaning and Maintenance

- The surface of Sky-Tile panels does not retain dust, making them easy to clean.
- I controsoffitti realizzati con Sky-Tile possono essere puliti con un panno in microfibra / aspirapolvere.
- Questo tipo di pulizia contribuisce alla durata nel tempo del prodotto.